

Husky & Bison

TRAIL GROOMING

LEADERS OF THE PACK





LEADERS OF THE PACK

Prinoth trail groomers are leaders of the pack with quiet, comfortable cabins, proven reliability and unmatched climbability. Get more done in less time with less fuel.

Extensive research and development went into perfecting these machines. The Husky and Bison are custom designed, beginning from our industry-leading alpine groomers and adapted for the unique requirements necessary to deliver quality snowmobile trail maintenance.

PREPARE MORE MILES OF TRAILS MORE EFFICIENTLY



LARGE FUEL TANK



QUICK GROUND SPEED



COMFORTABLE CABIN

TECHNICAL SPECIFICATIONS

HUSKY TRAIL GROOMING

DIMENSIONS & WEIGHT

Total vehicle length (blade open)	4,065 mm 13'4"
Overall height with brushguard	2,840 mm 9'4"
Versions of working width	2.5 / 2.8 / 3.1/ 3.4
Transport dimensions (length/width/height)	5,110 / 2,445 / 2,655 mm 16'9" / 8' / 8'9"
Vehicle weight	4,212 kg 9,286 lb
Vehicle weight with tracks & blade (2.5m steel tracks and small HUSKY blade)	from 5,056 kg 11,147 lb
Ground clearance with steel tracks	310 mm 1'
Permitted gross weight (ROPS)	8,000 kg 17,637 lb
Cargo deck - Area	1.727 m ² 18.6 ft ²
Cargo deck - Payload	500 kg 1,102 lb

PERFORMANCE

Maximum speed	21 km/h 13 mph
Turning radius (without drag)	0 degree turn (around its own axis)

ENGINE

Model	MTU R1000 / OM 934 LA
Exhaust emission standard	STAGE V/EPA Tier 4 final
Fuel types	Diesel, HVO, GTL and BTL (According to the norms ASTM D975, EN590, EN15940)
Power output	170 kW 231 HP ECE
Torque	950 Nm @ 1400 rpm 700 ft-lb @ 1,400 rpm
Displacement	5.1 liters
Cylinder configuration	4-cylinder common rail
Emission regulation type	SCR, EGR
Tank capacity diesel	160 liters / 285 liters* *with additional 125 liter tank 42.3 gal / 75.3 gal
Tank capacity AdBlue	40 liters 10.6 gal

TRANSMISSION

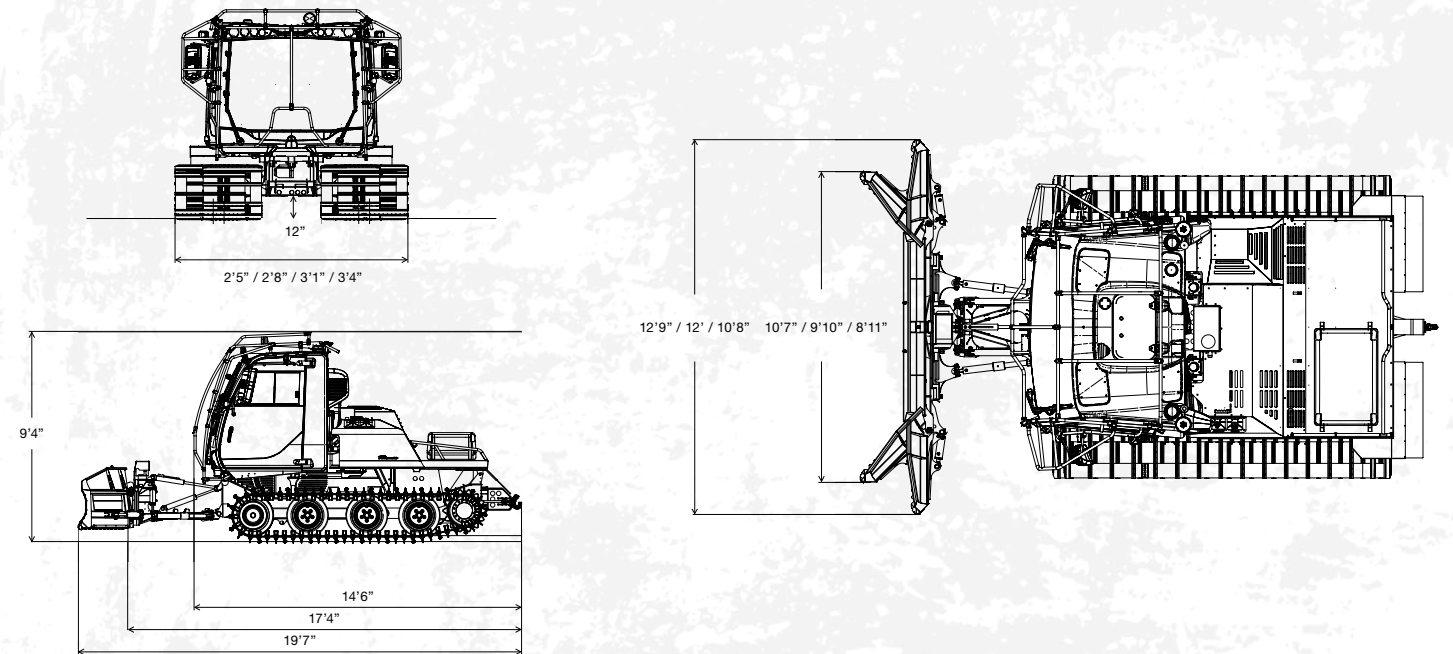
Transmission	Hydrostatic, infinitely variable
Drive pump	90 cm ³
Final drive	63 cm ³

ELECTRICAL SYSTEM

Operating voltage	24 VDC
Starter	24 VDC
Generator	28 VDC/150 A
Battery	2 x 12 VDC/74 Ah
Starting capacity	680 A (EN)
24 Volts rear accessories connection	

LIGHTS

FULL LED lights:
4 working lights, high/low beam front
4 working lights rear
Mirror lights front and corner lights rear
Beacon lights and direction indicators
Search light in halogen



OPERATOR CABIN

Left-hand drive, steering wheel or steering lever controls, speed potentiometer, heated and ventilated comfort seat for operator with pneumatic suspension, height adjustable, emergency seat

Prinoth Control Unit: new 12" touch display, new armrest with multifunctional joystick (J-in-J function), ergonomic arrangement of controls, multimedia box with digital radio, MP3/WMA, music and hands-free system via Bluetooth, AUX-In, RFID key system for saving operator preferences and settings

Tinted sunroof

Electrically adjustable heated mirrors, front, rear and side windows

Automatic heating and ventilation with touchscreen control, footwell heating system

ROPS tested pursuant to EN 15059

Hydraulic tilting cab

12-WAY BLADE	STANDARD BLADE - SMALL	STANDARD BLADE - LARGE	MASTER BLADE
Open	3,250 mm 10'8"	3,000 mm 12'	3,220 mm 12'9"
Closed	2,720 mm 8'11"	3,650 mm 9'10"	3,875 mm 10'7"

TRACKS

	CROSSLINK LENGTH	STANDARD FUNCTIONS
2.5 Steel tracks	889 mm 2'11"	Cruise control
2.5 Rubber tracks	775 mm 2'7"	Onboard diagnostics
2.5 Aluminum tracks	834 mm 2'9"	Automatic hydraulic track tensioning
2.8 Steel tracks	1012 mm 3'4"	Full-LED lighting package
2.8 Rubber tracks	775 mm 2'7"	Brush guard
2.8 Aluminum tracks	794 mm 2'7"	Rear alarm
3.1 Aluminum tracks	794 / 944 mm 2'7" / 3'1"	Engine heater
3.4 Aluminum tracks	1017 / 1290 mm 3'4" / 4'3"	Steering wheel (optional steering levers)

OPTIONS

Rear view camera on cabin	Ice ripper
Auxiliary fuel tank	Fleet Management
Air conditioning	Snow Depth Measurement
Steering levers	Rear deck camera
Polar Kit	

OTHER

4 hydraulic circuits with quick connection couplers
Solid rubber wheels

TECHNICAL SPECIFICATIONS

BISON TRAIL GROOMING

DIMENSIONS & WEIGHT

Total vehicle length (blade open)	6,062 mm 19'11"
Overall height with brushguard	3,085 mm 10'1"
Versions of working width	Tracks: 44" / 58" / 66" Blade: 12' / 10' / Master
Transport dimensions (length/width/height)	5,835 / 2,440 / 2,990 mm 19'2" / 8' / 9'10"
Vehicle weight	6,383 kg 14,072 lb
Vehicle weight with steel tracks & blade	from 8,686 kg 19,149 lb
Ground clearance with steel tracks	385 mm 1'3"
Permitted gross weight (ROPS)	14,000 kg 30,865 lb
Optional Cargo deck - Area	1.47 m ² 15.8 ft ²
Cargo deck - Payload	1000 kg 2,204 lb

PERFORMANCE

Maximum speed	21 km/h 13 mph
Turning radius (without drag)	0 degree turn (around its own axis)

ENGINE

Model	Caterpillar C9.3B
Exhaust emission standard	STAGE V/EPA Tier 4 final
Fuel types	Diesel, HVO, GTL and BTL (According to the norms ASTM D975, EN590, EN15940)
Power output	310 kW 422 HP ECE
Torque	1,897 Nm @ 1,400 rpm 1,399 ft-lb @ 1,400 rpm
Displacement	9.3 liters
Cylinder configuration	inline 6 cylinder, direct
Emission regulation type	SCR, DPF
Tank capacity diesel	265 liters / 320 liters* *with additional 55 liter tank 70 gal / 84.5 gal
Tank capacity AdBlue	30 liters 7.9 gal

TRANSMISSION

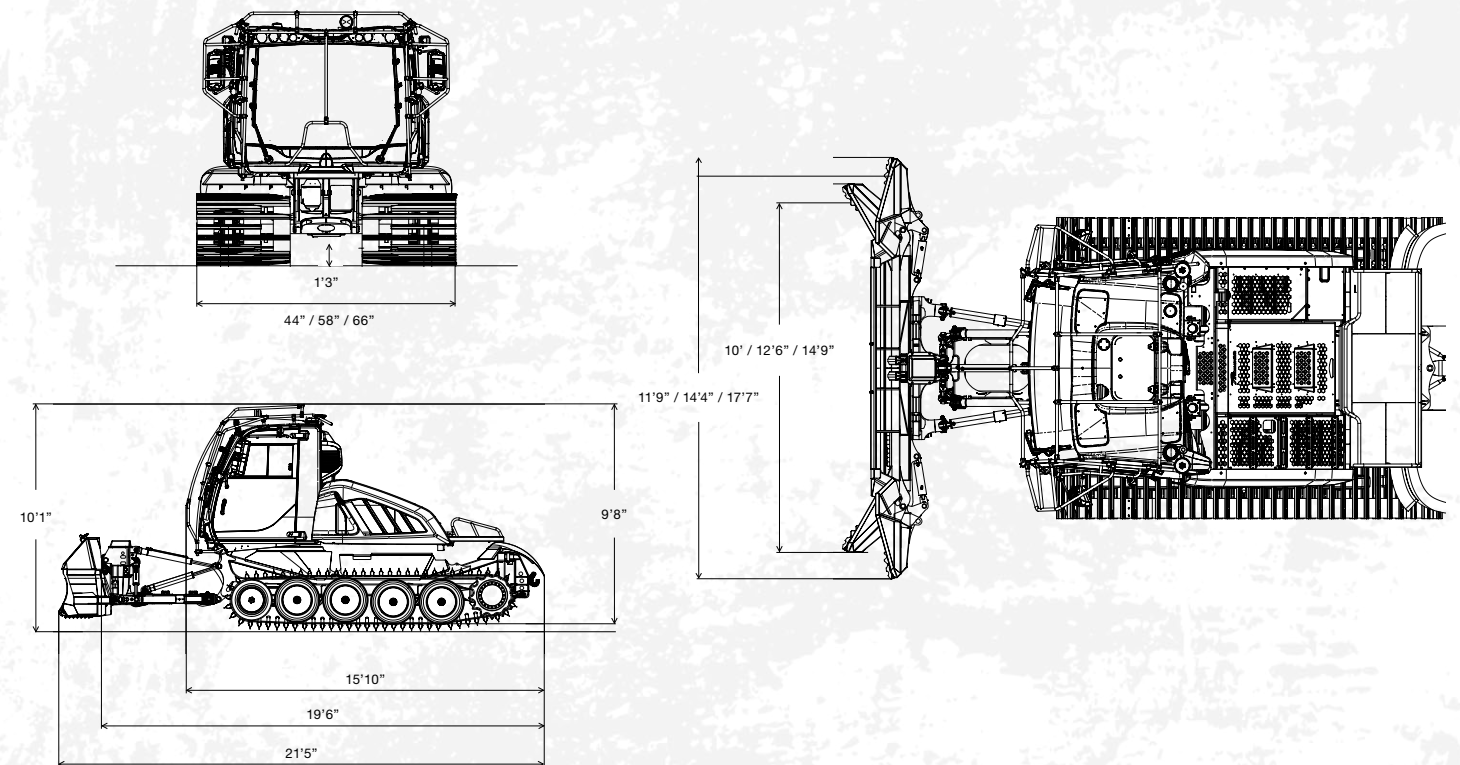
Transmission	Hydrostatic, infinitely variable
Drive pump	145 cm ³
Final drive	107 cm ³

ELECTRICAL SYSTEM

Operating voltage	24 VDC
Starter	24 VDC
Generator	29 VDC/270 A
Battery	2 x 12 VDC/140 Ah
Starting capacity	1,200 CCA
24 Volts rear accessories connection	

LIGHTS

FULL LED lights:
4 working lights, high/low beam front
4 working lights rear
Mirror lights front and corner lights rear
Beacon lights and direction indicators
Search light in halogen



OPERATOR CABIN

Heated and ventilated operator seat - RECARO comfort center seat with pneumatic suspension, height adjustable
Passenger seat on left, storage box right with compartment for radio set
Prinoth Control Unit: new 12" touch display, new armrest with multifunctional joystick (J-in-J function), ergonomic arrangement of controls, steering levers, multimedia box with digital radio, MP3/WMA, music and hands-free system via Bluetooth, AUX-In, RFID key system for saving operator preferences and settings
Tinted sunroof
Heated side mirrors, heated front, rear and side windows
Automatic heating and ventilation with touchscreen control, footwell heating system
ROPS tested pursuant to EN 15059
Electro-hydraulic tilting cab

BLADE	MASTER BLADE	MASTER BLADE 12 FT	MASTER BLADE 10 FT
Open	5,360 mm 17'7"	4,375 mm 14'4"	3,590 mm 11'9"
Closed	4,485 mm 14'9"	3,807 mm 12'6"	3037 mm 10'

TRACKS	CROSSLINK LENGTH	STANDARD FUNCTIONS
Steel tracks - Width 44"	762 / 1118 mm 2'6" / 3'8"	Cruise control
Steel tracks - Width 58"	1118 mm 3'8"	Onboard diagnostics
Steel tracks - Width 66"	1321 / 1397 mm 4'4" / 4'7"	Automatic hydraulic track tensioning
GAMSKETTE Aluminum tracks - Width 66"	1431 / 1654 mm 4'8" / 5'5"	Full-LED lighting package

OPTIONS	OTHER
Rear view camera on cabin	3 hydraulic circuits with quick connection couplers
Auxiliary fuel tank	Solid rubber wheels
Air conditioning	
Steering wheel for left side drive	
Preparation for front hydraulics	
Cargo deck	
Fleet Management	
Snow Depth Measurement	
Rear deck camera	

Prinoth LLC Eastern US

2 Whitney Rd, Unit 1
Concord, NH USA 03301
Tel. 603.267.7840
prinoth.us@prinoth.com

Prinoth LLC Far West US

2620 East 5th Street
Reno NV, USA 89512
Tel. 775.359.7517
prinoth.us@prinoth.com

Prinoth LLC Rocky Mountains

2746 Seeber Drive Bldg B
Grand Junction CO, USA 81506
Tel. 970.242.7150
prinoth.us@prinoth.com

Prinoth LLC Intermountain

2565 South Decker Lane #3
West Valley UT, USA 84120
Tel. 801.364.8266
prinoth.us@prinoth.com

Prinoth LLC Midwest US

1730 N Gault St.
St. Peter MN, USA 56082
Tel. 612.251.4094
prinoth.us@prinoth.com

Prinoth LTD Eastern Canada

1001, J.-A. Bombardier Street
Granby, QC, CANADA J2J 1E9
Tel. 450.776.3600
prinoth.canada@prinoth.com

**Canada: New Brunswick,
Nova Scotia, Pei, Quebec**

Equipements Plannord
70 Rue d'Anvers
Saint-Augustin-de-Desmaures,
QC CANADA G3A 1S4
Tel. 418.878.4007

**Canada: Ontario, Newfound
and Labrador**

The Shop Industrial
112 Fielding Rd
Lively, ON, CANADA P3Y 1L5
Tel. 800.663.3724

Prinoth LTD Western Canada

285071 Frontier Road
Rockyview, AB, CANADA T1X 0R4
Tel. 403.279.7271
prinoth.canada@prinoth.com

Canada: Manitoba, Nunavut

Loch Lomond Equipment Sales
1860 Loch Lomond Road
Thunder Bay, ON, CANADA P7J 1E9
Tel. 807.472.7357